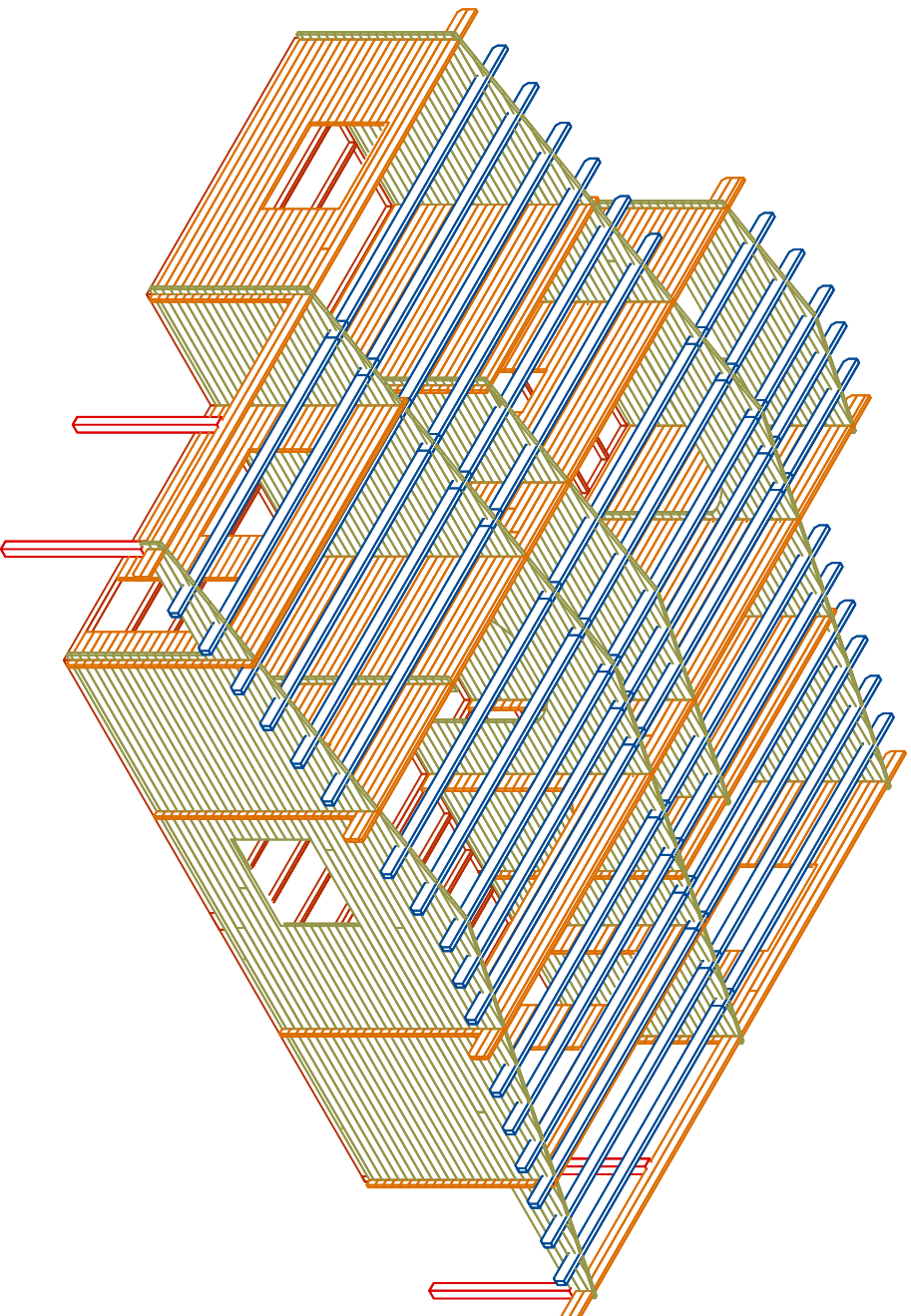


D 90x210 2pcs
D 76x205 6pcs
W 148x116 6pcs

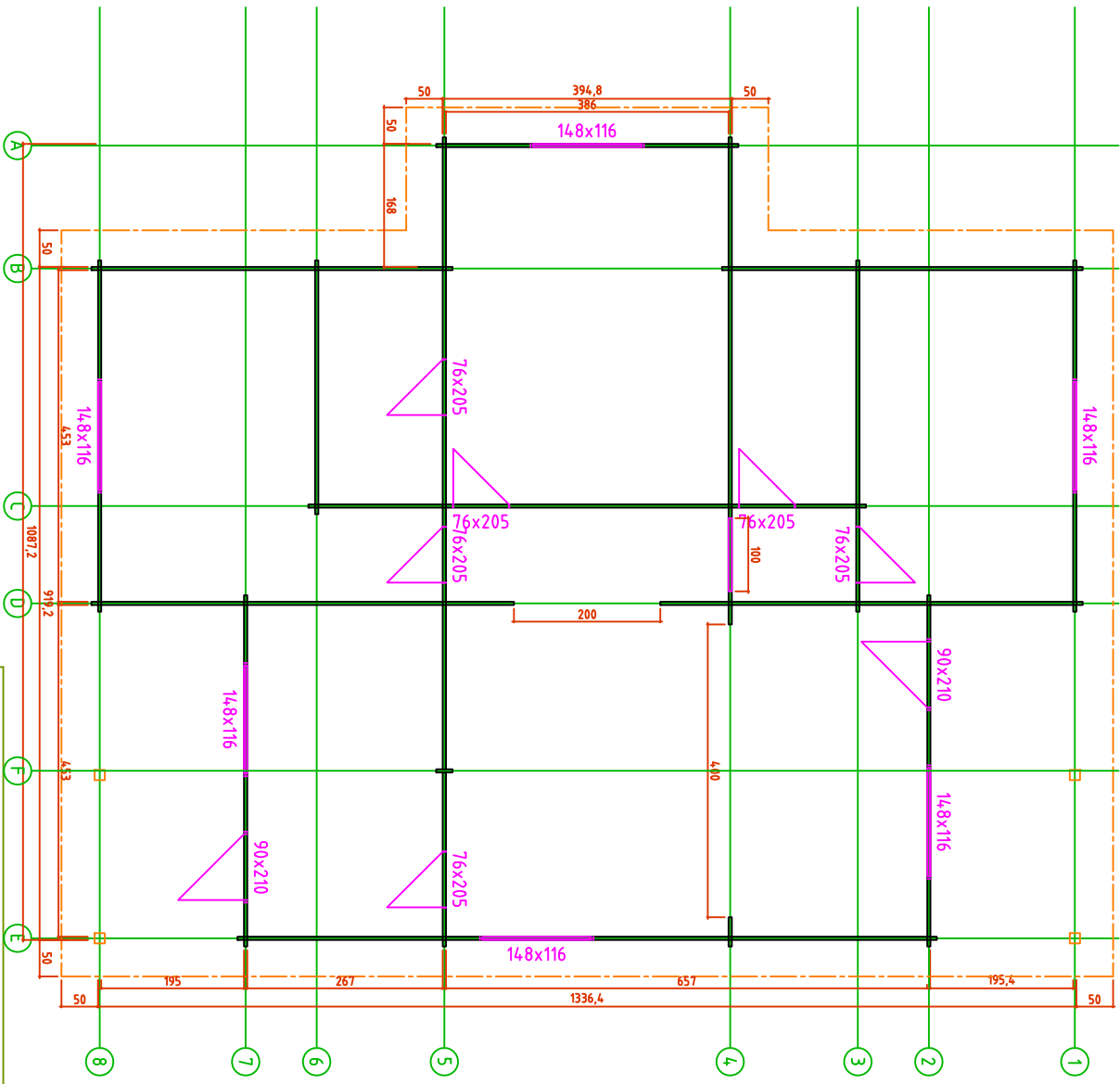
Code	MS-30,3 S-280 SP-159	Page	08.02.16
Drawing	10,87x13,36/44	Scale	
File	Mixta_44		3D.dwg



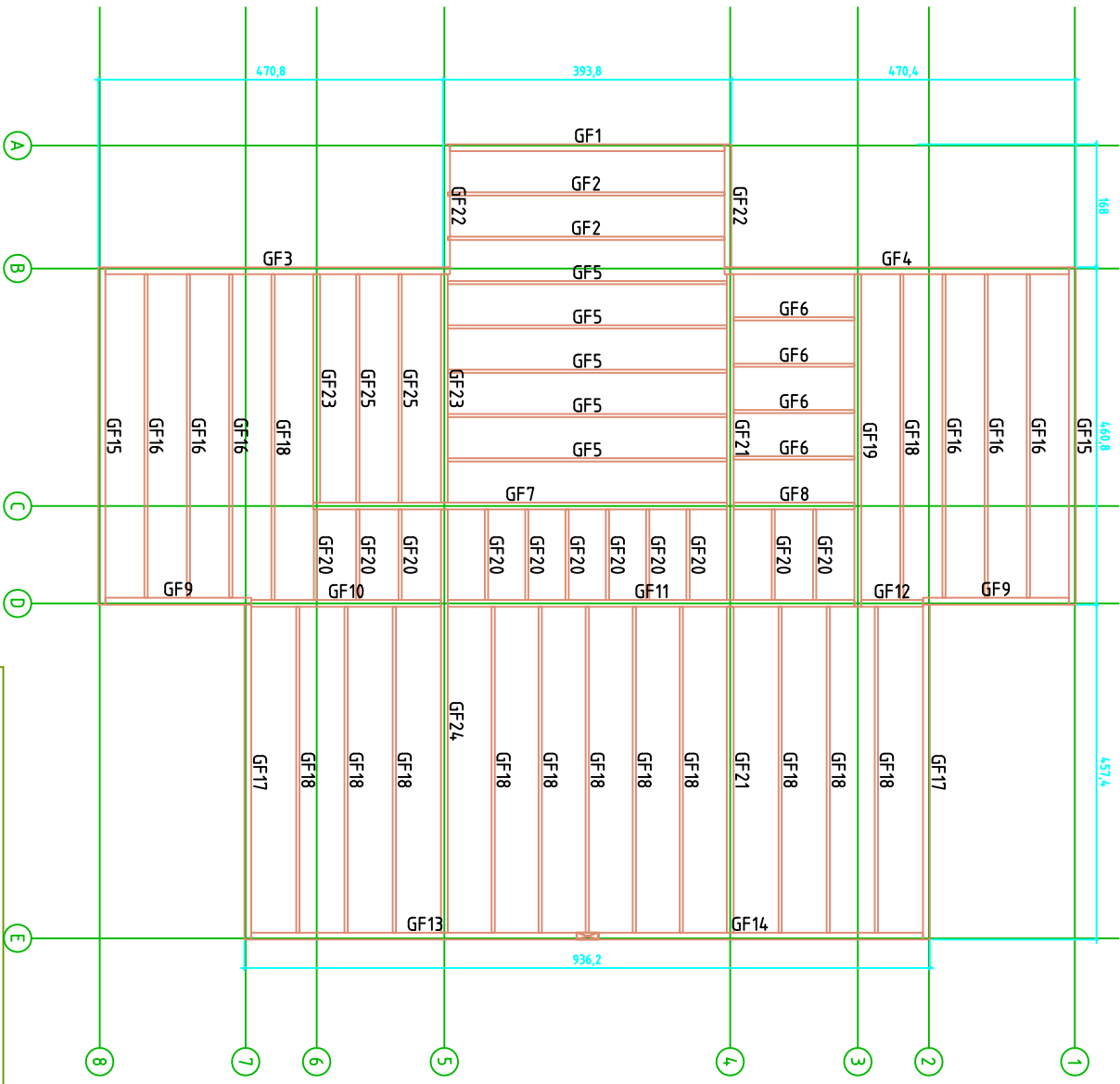
D 90x210 2pcs
D 76x205 6pcs
W 148x116 6pcs

Code	MS-30,3 S-280 SR-159	Page	08.02.16
Drawing	10,87x13,36/44	Scale	
File	Mixta_44		3D.dwg

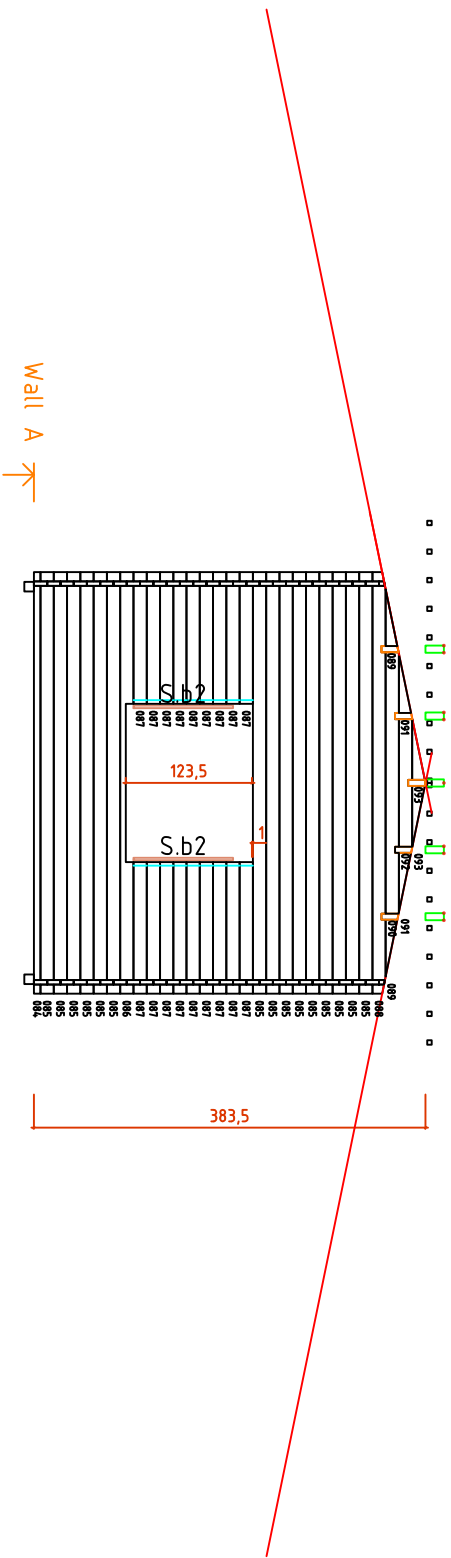
D 90x210 2pcs
 D 76x205 6pcs
 W 148x116 6pcs



Code	Page 1	03.02.16
Drawing 10,87x13,36/44	Scale 1:75	
File Mixto_44.dwg		

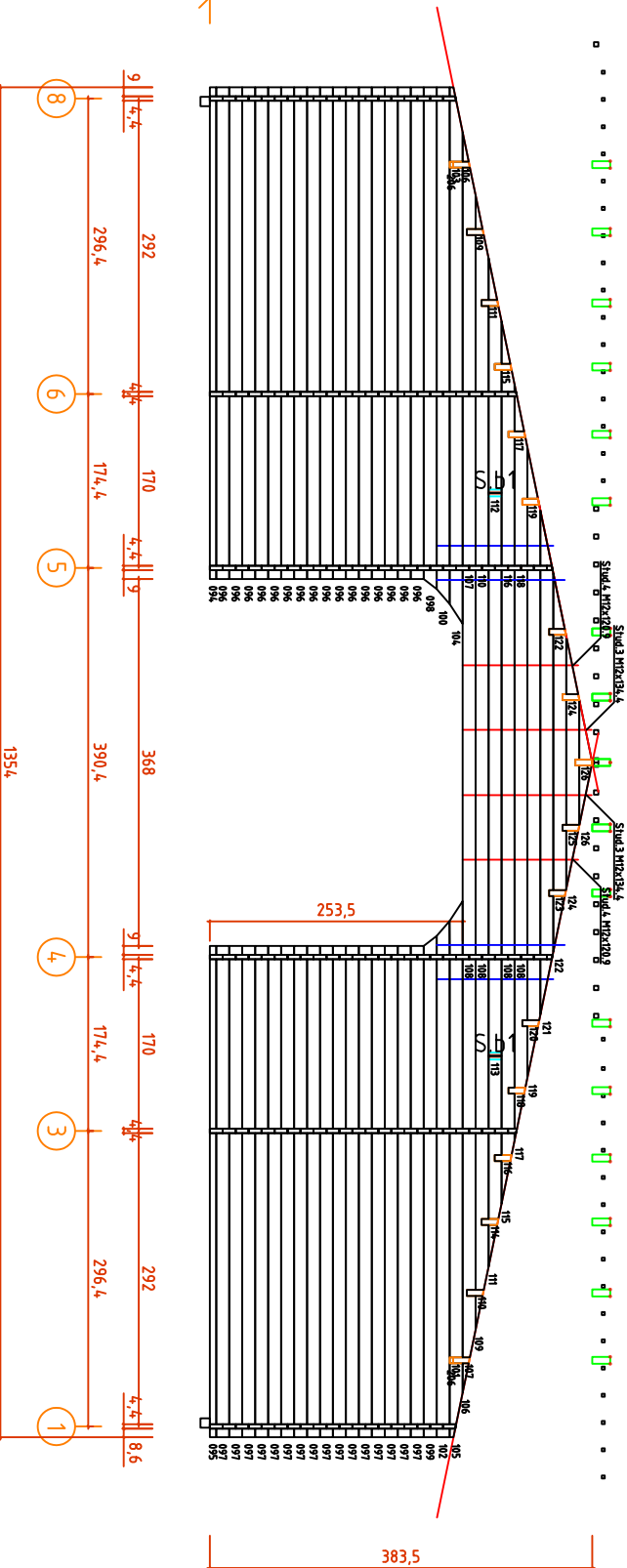


Code	GROUND FRAME	Page	1A	Scale	03.02.16
Drawing	10.87x13.36/44				1:75
File	Mixto_44.dwg				

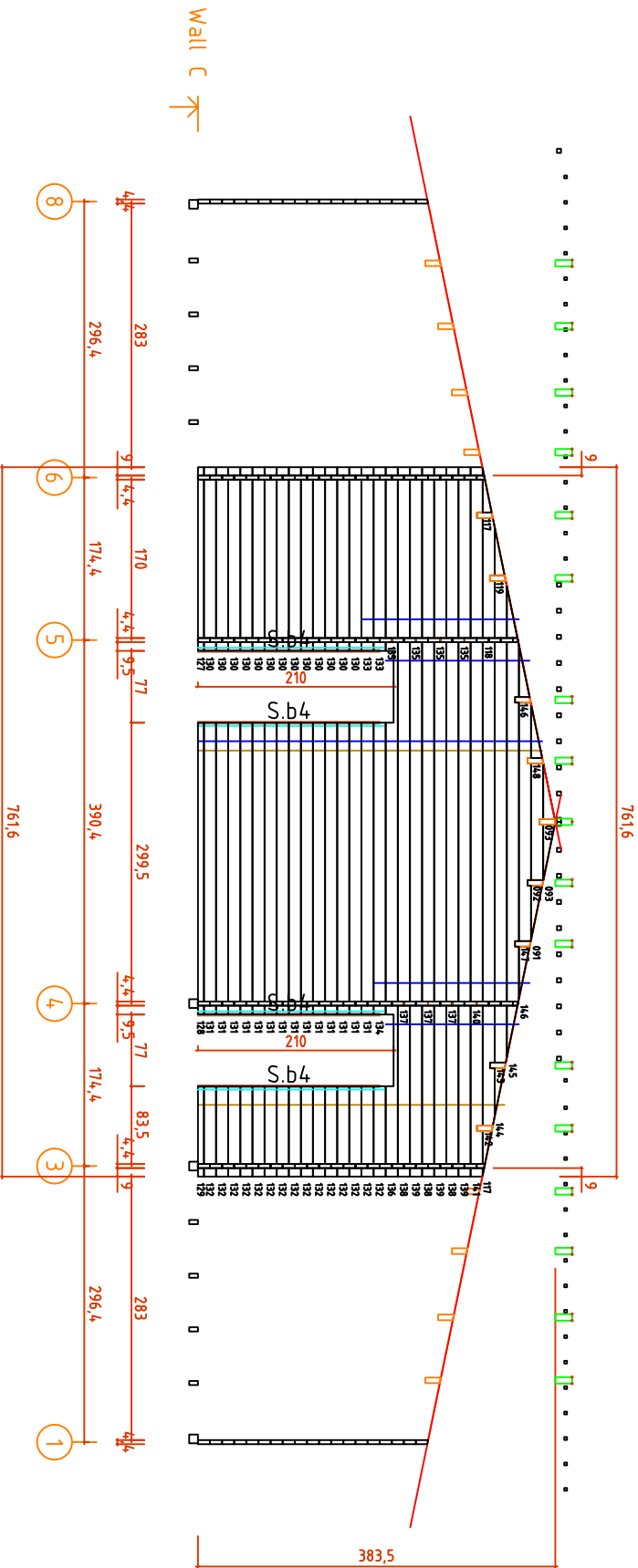


Code	Page 2	03.02.16
Drawing WALL A	Scale 1:75	
File Mix tq_44.dwg		

Wall B ↘

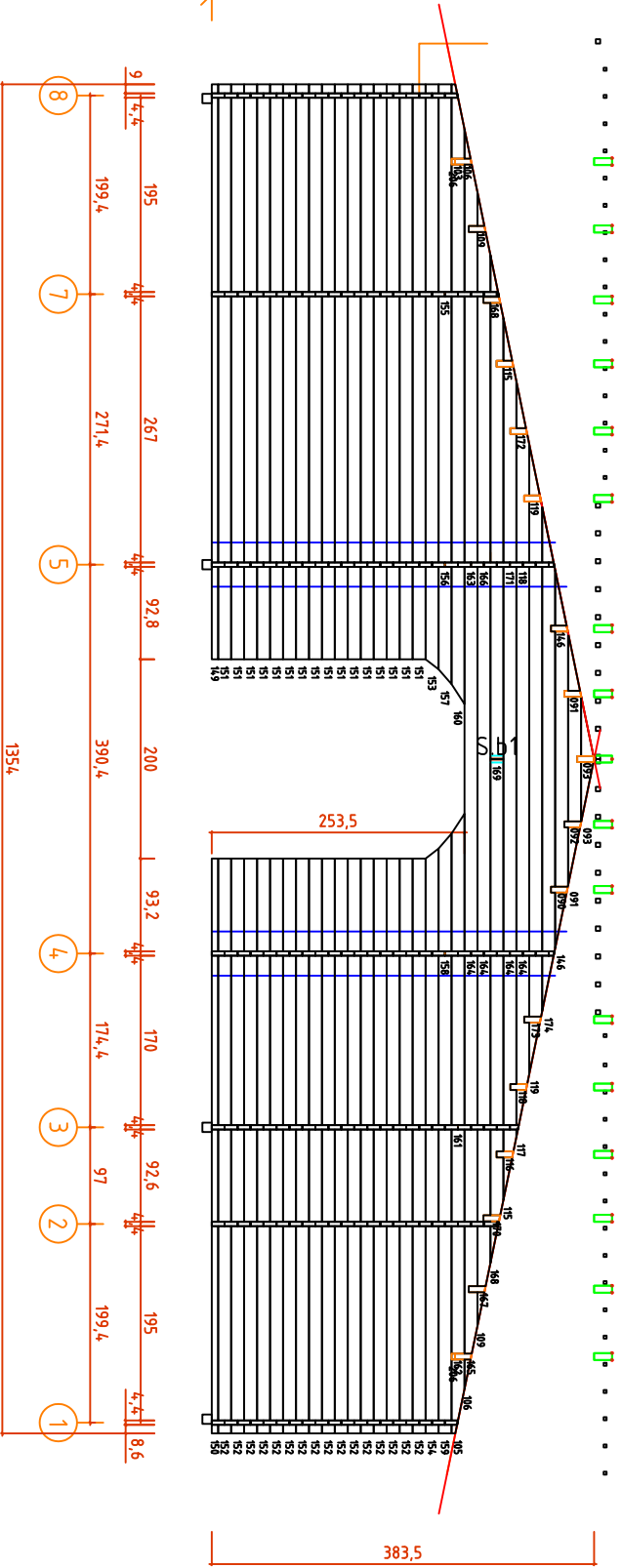


Code	Page 3	03.02.16
Drawing WALL B	Scale 1:75	
File Mix to_44.dwg		

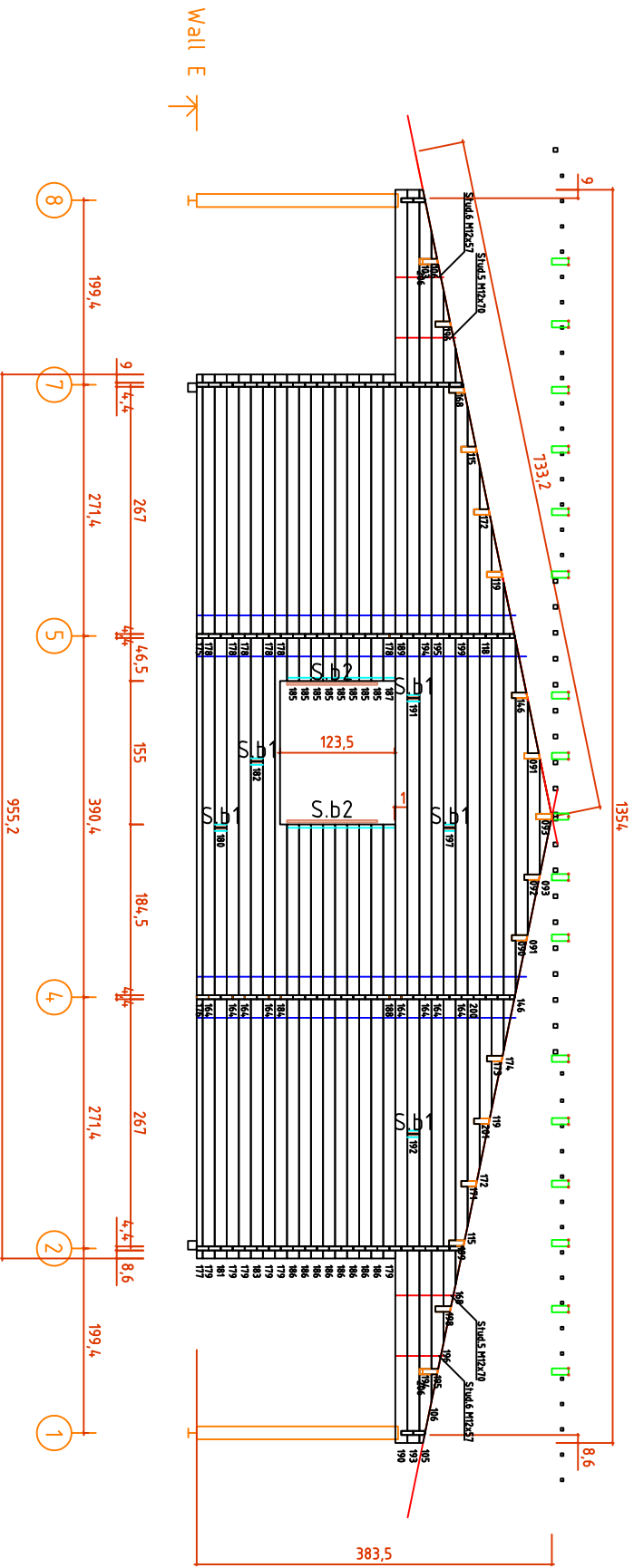


Code	Page 4	03.02.16
Drawing WALL C	Scale 1:75	
File Mix tq_44.dwg		

Wall D ↗

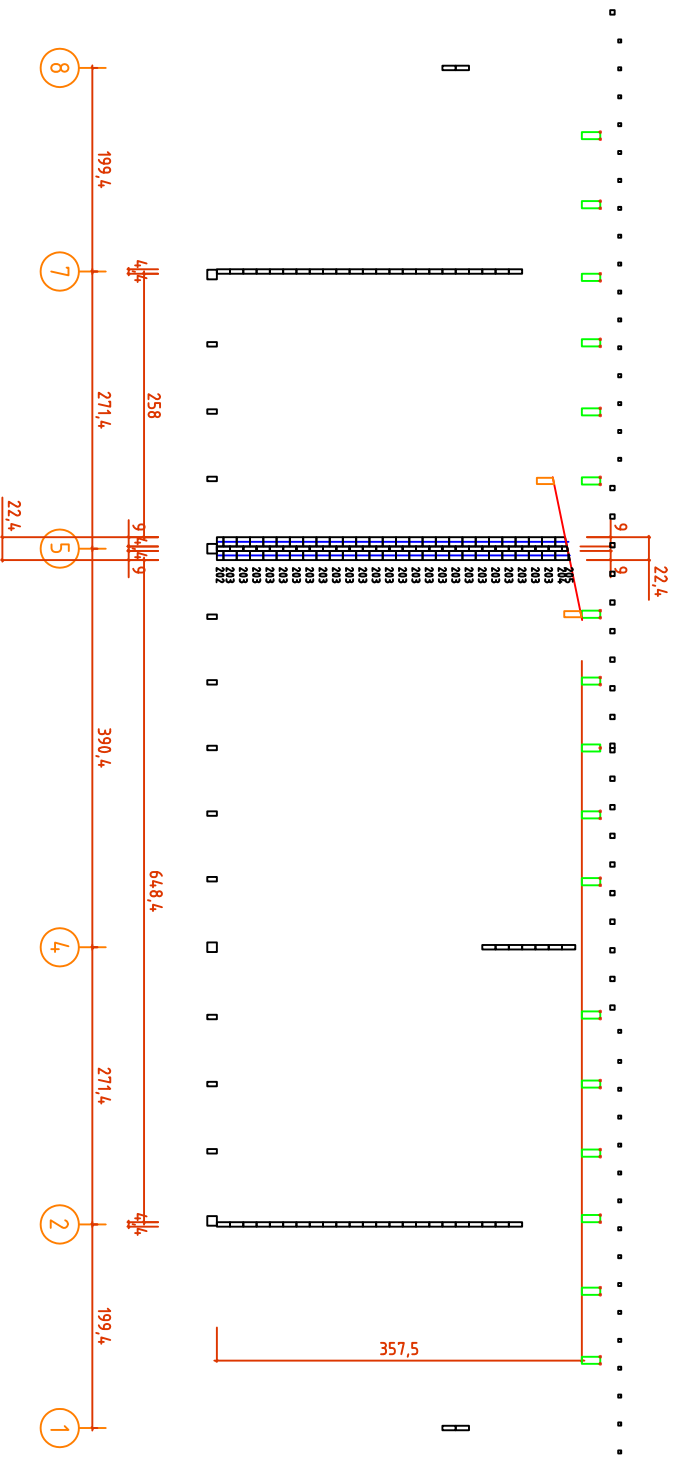


Code	Page 5	03.02.16
Drawing WALL D	Scale 1:75	
File MIX tq_44.dwg		

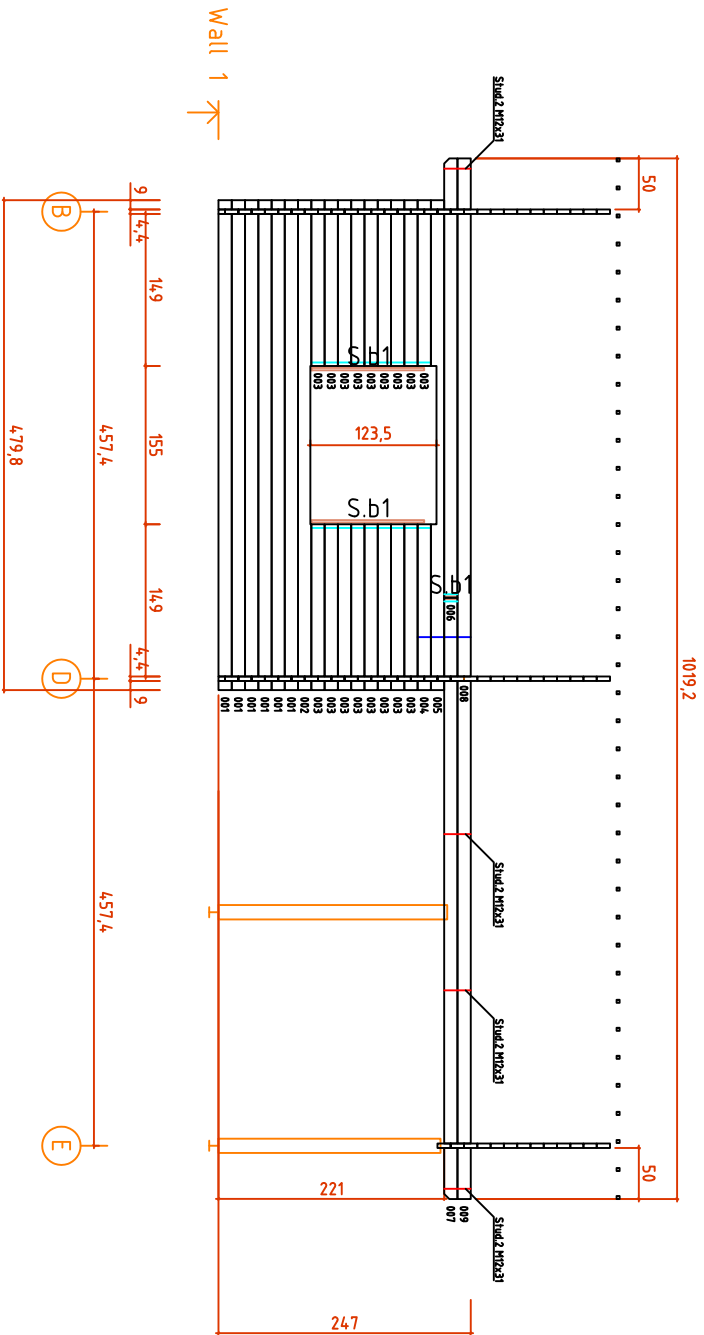


Code	Page 6	03.02.16
Drawing WALL E	Scale 1:75	
File Mix tq_44.dwg		

Wall F

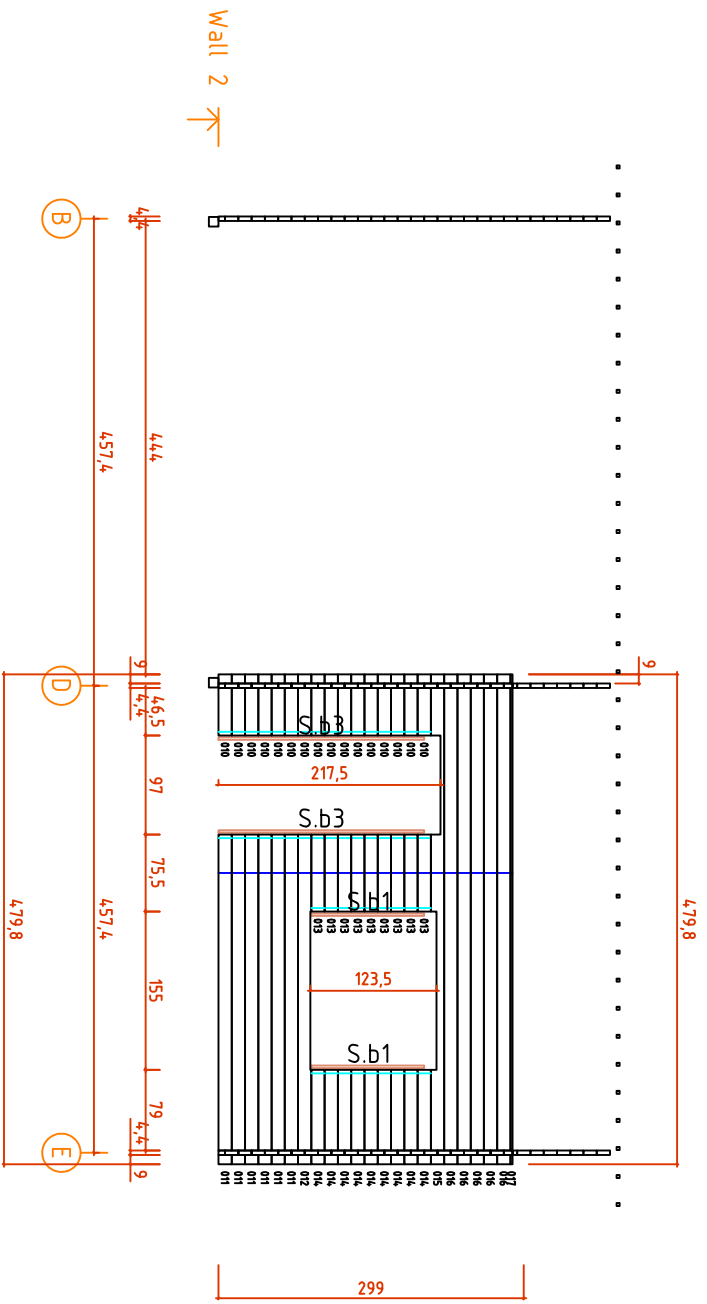


Code	Page 7	03.02.16
Drawing WALL F	Scale 1:75	
File MIX tq_44.dwg		



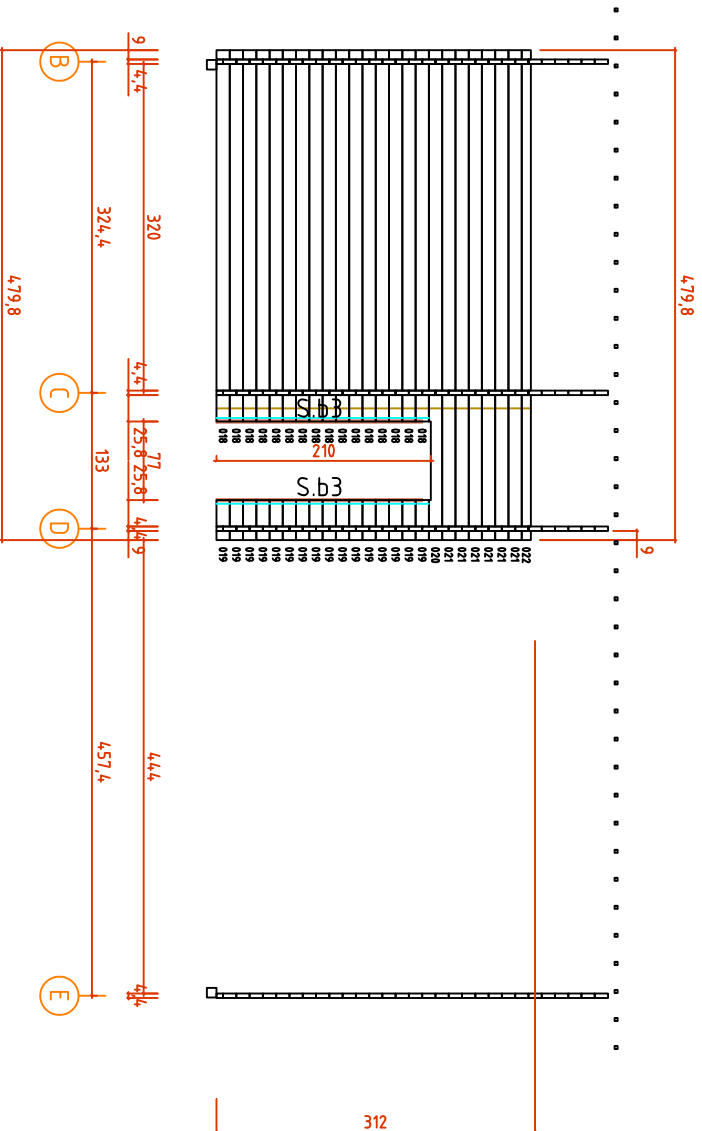
Wall 1

Code	Page 8	03.02.16
Drawing WALL 1	Scale 1:75	
File Mix tq_44.dwg		

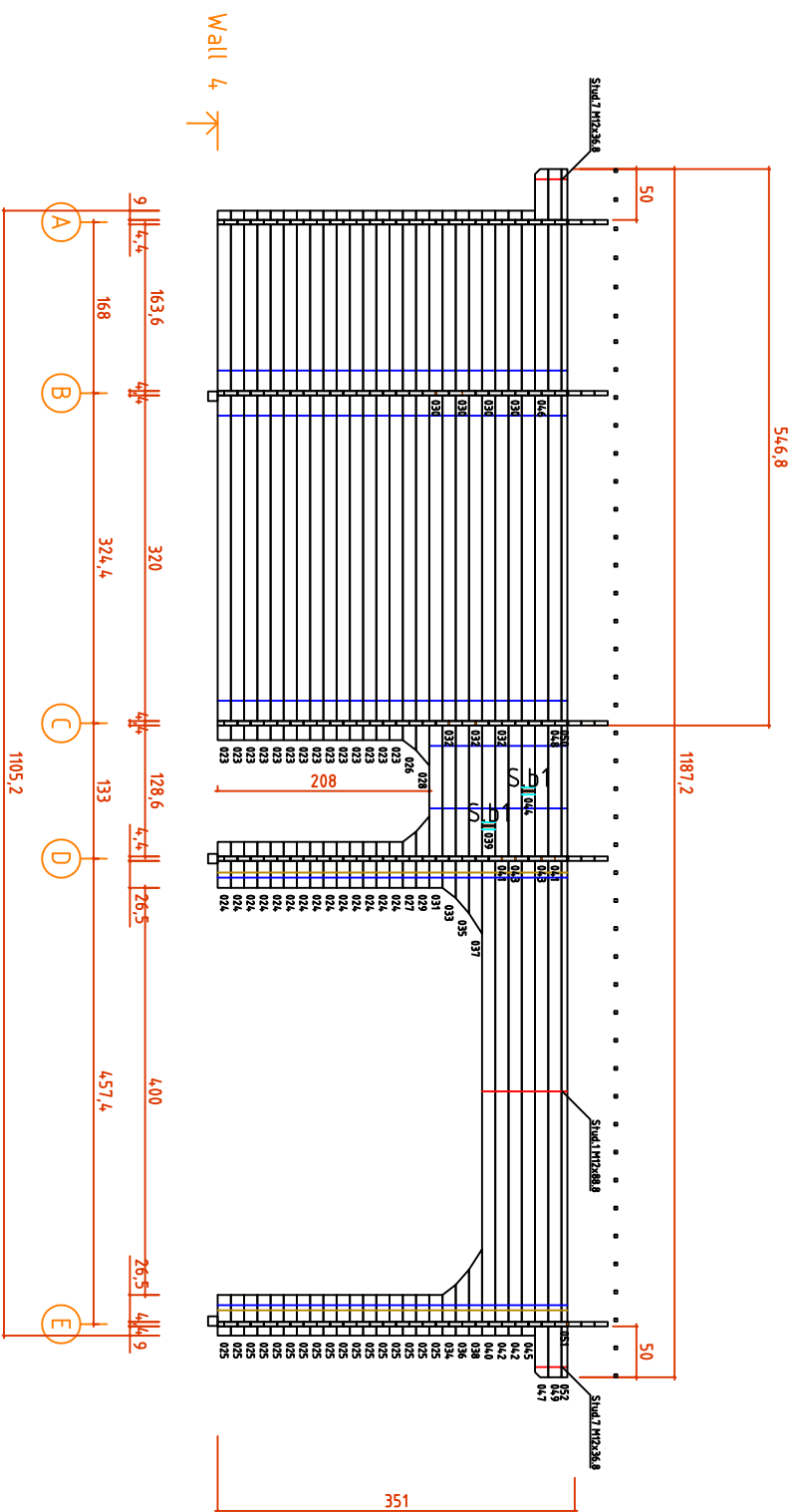


Code	Page 9	03.02.16
Drawing WALL 2	Scale 1:75	
File Mix tq_44.dwg		

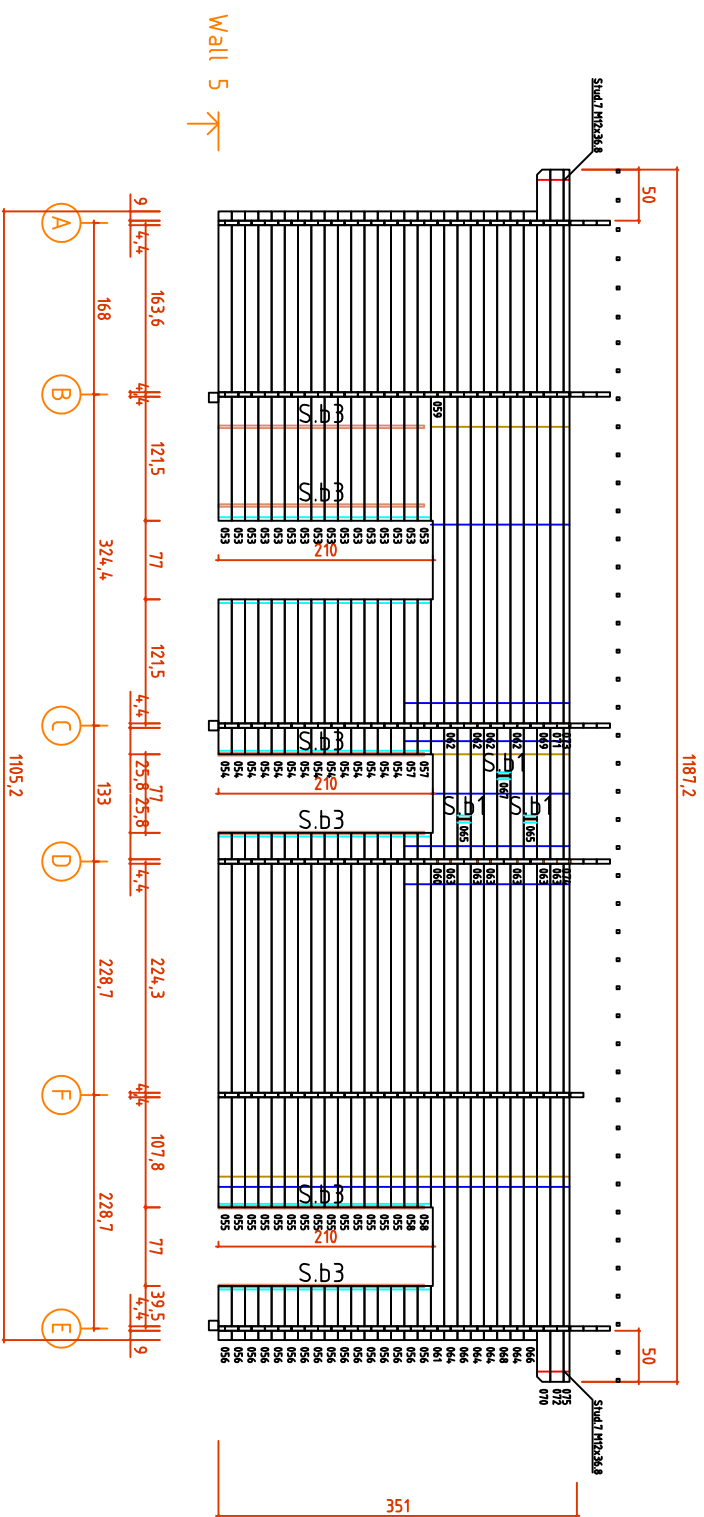
Wall 3



Code	Page 10	03.02.16
Drawing WALL 3	Scale 1:75	
File Mix tq_44.dwg		

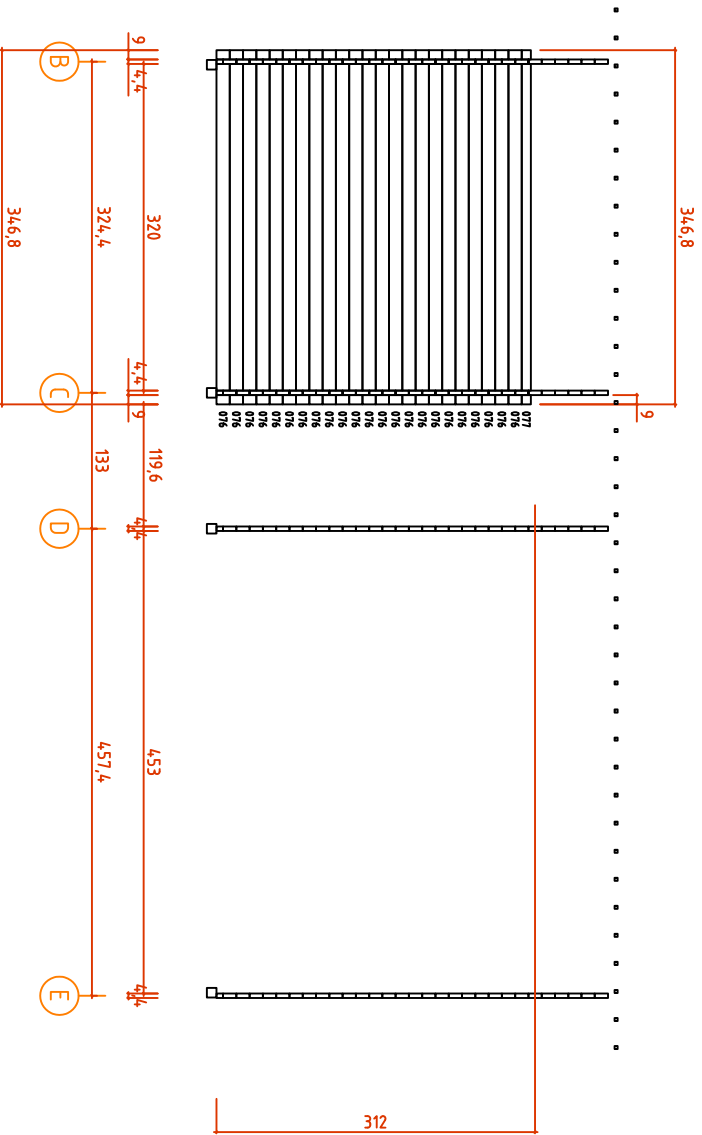


Code	Page 11	03.02.16
Drawing WALL 4	Scale 1:75	
File Mix tq_44.dwg		

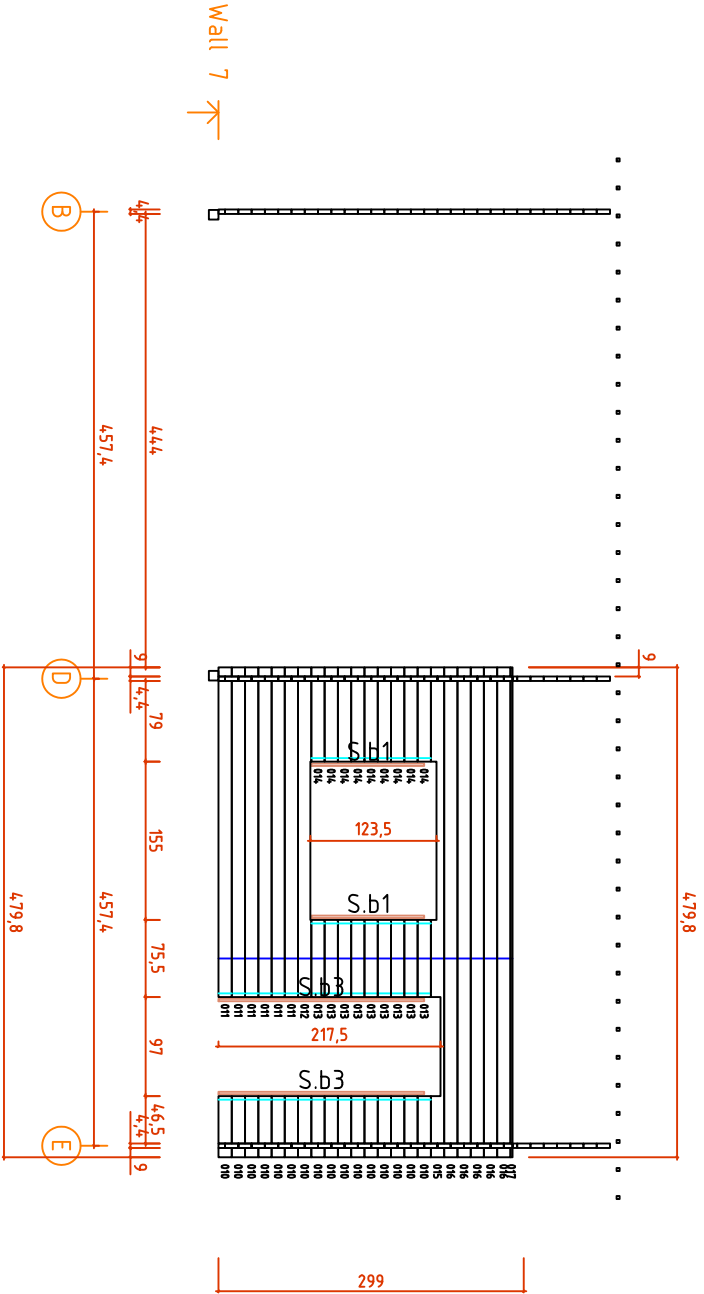


Code	Page 12	03.02.16
Drawing WALL 5	Scale 1:75	
File Mix_tq_44.dwg		

Wall 6

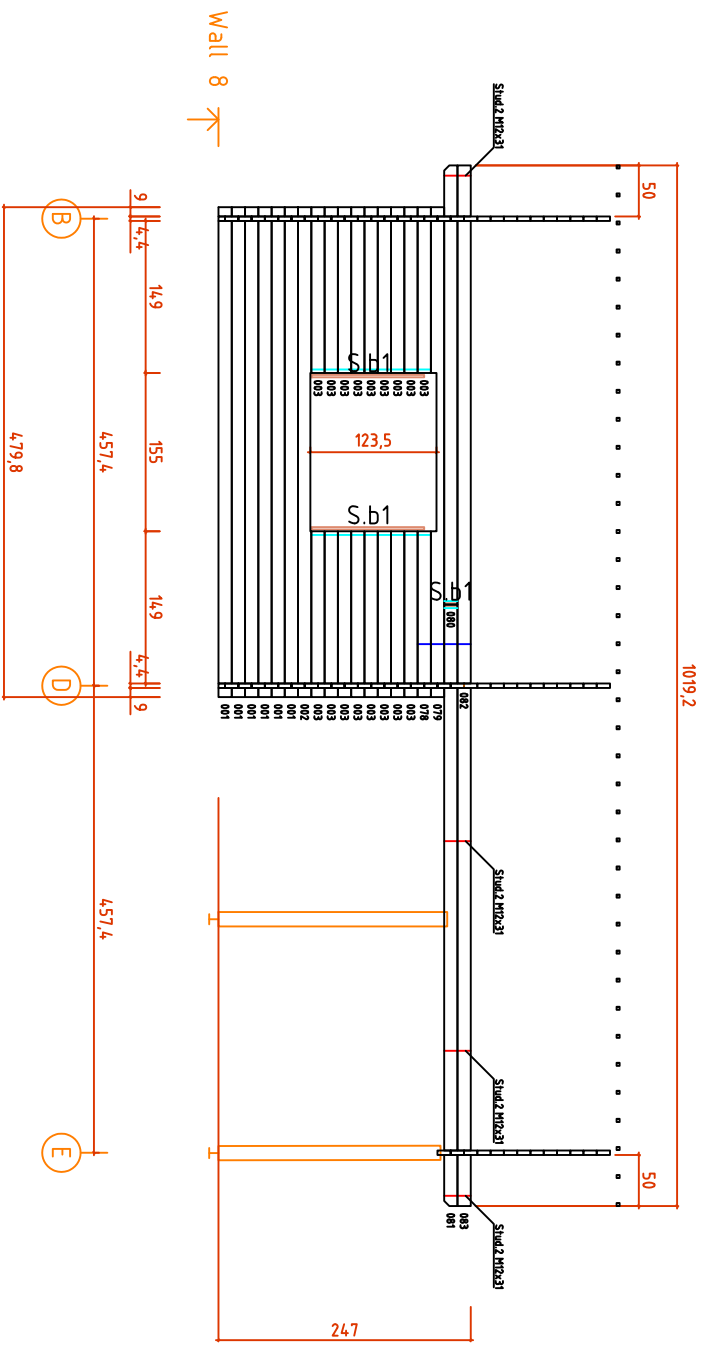


Code	Page 13	03.02.16
Drawing WALL 6	Scale 1:75	
File MIX tq_44.dwg		



Wall 7

Code	Page 14	03.02.16
Drawing WALL 7	Scale 1:75	
File Mix tq_44.dwg		



Code	Page 15	03.02.16
Drawing WALL 8	Scale 1:75	
File MIX tq_44.dwg		

POSITION	PROFIL, DIMENSION	
GROUND FRAMES	94x94, 44x94	
WALL	44	
PURLIN		
RAFTERS		
ROOF BATTENS	44x44, 30x30	
ROOF BOARDS	18	
CEILING		
FLOORING	28	

CONSTRUCTION

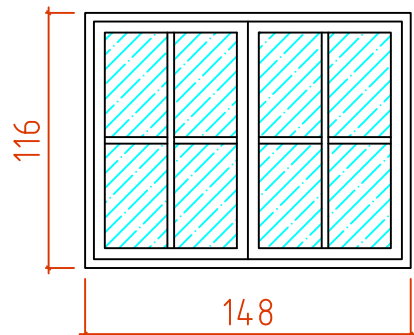
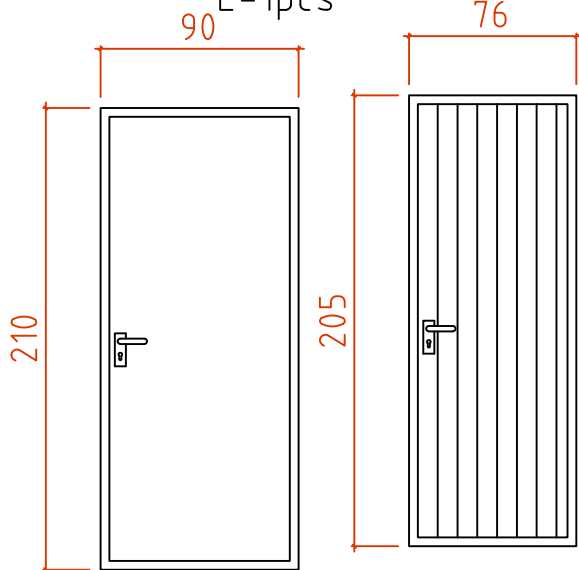
ROOF ANGLE	11.6°	
WALL INSULATION	94max	
ROOF INSULATION		
FLOOR INSULATION		

WINDOWS, DOORS

D 90x210 R-1pcs,
L-1pcs

D 76x205 R-5pcs,
L-1pcs

W 148x116 ISO -6pcs



Code	Page	
Drawing	Scale	
	File	